

TENDER ENQUIRY

NO.	NPLJ-24-093	Date:	27-Dec-24	Due on :	13-Jan-25
------------	--------------------	--------------	------------------	-----------------	------------------

Please ensure to indicate your offer in this schedule. In case of shortage of space, you may use your letterhead but this schedule is to be returned duly filled in & signed

We invite your sealed bid on FOR / FOT Taxila or Free Delivery. HMC, Taxila basis for the supply of following store (s) precisely according to the format depicted below. Bid must reach Procurement Department by 1400 hours for opening in public at 1430 hours on due date

S NO.	DESCRIPTION	Unit.	Qty.	Unit Price (Rs.)	Delivery Period
Safety Shoes					
1	Size 39	Pairs	01		
2	Size 40	Pairs	02		
3	Size 41	Pairs	07		
4	Size 42	Pairs	11		
5	Size 43	Pairs	07		
6	Size 44	Pairs	01		

Important Note:

- 1 The offer shall be quoted on FOR Taxila basis
- 2 Delivery Period should be minimum
- 3 Quantity can be increased decreased or deleted after tender opening, if necessary
- 4 Validity The offer validity should not be less than 30 days
- 5 Payment Payment will be made after inspection & acceptance of stores at HMC Taxila

NB: For Sales Tax and other Govt. levies please read clause 7 (e) of Terms and Conditions overleaf
 Terms of Delivery FOT/FOR Taxila - Free Delivery HMC Taxila

Your offer No. & date _____ Valid upto _____

Additional Requirements _____

Issued By _____

Head Procurement Department
 Heavy Mechanical Complex, Taxila.

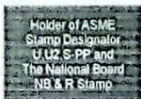
DECLARATION

We certify that we have read the terms and conditions of the tender enquiry over leaf and the same are fully acceptable to us. We further agree to provide performance bond, if required.

Signature _____

Full Name _____

Seal of the Firm _____



Taxila : 47050 Pakistan Phones : (+92-51) 9314262-5 (4 Lines), (+92-51) 9314181-5 (5 Lines)
 Fax: (+92-51) 9270203, (92-51) 9314260
 Email: hmcengg@hmc.com.pk, marketing@hmc.com.pk & procurement.hmc@gmail.com
 Web Site: http:// www.hmc.com.pk



TENDER ENQUIRY

NO	PLH-24-041	Date:	27-Dec-24	Due on :	13-Jan-25
-----------	-------------------	--------------	------------------	-----------------	------------------

Please ensure to indicate your offer in this schedule. In case of shortage of space, you may use your letterhead but this schedule is to be returned duly filled in & signed.

We invite your sealed bid on FOR/FOT Taxila or Free Delivery, HMC, Taxila basis for the supply of following store(s) precisely according to the format depicted below. Bid must reach Procurement Department by 1400 hours for opening in public at 1430 hours on due date

S NO	DESCRIPTION	Unit.	Qty.	Unit Price (Rs)	Delivery Period
1	Copper Ground Clamp (GD-5)	No.	185		
2	Copper Compressing Lug (GD-6)	No.	125		
3	Copper Compressing Lug (GD-7)	No.	325		
4	Downlead Clamp (GD-8)	No.	285		
5	Flexible Copper Braid (GD-11)	No.	07		
6	Ground Rod Dia 19X3000 (GD-3 & 4) Copper Clay Steel	No.	17		

GD's Sketch attached.

Important Note:

- 1 The offer shall be quoted on FOR Taxila basis
- 2 Delivery Period should be minimum
- 3 Quantity can be increased decreased or deleted after tender opening, if necessary
- 4 Validity The offer validity should not be less than 30 days
- 5 Payment Payment will be made after inspection & acceptance of stores at HMC Taxila

NB For Sales Tax and other Govt levies please read clause 7 (e) of Terms and Conditions, overleaf

Terms of Delivery FOT/FOR Taxila - Free Delivery HMC Taxila

Your offer No & date _____

Valid upto _____

Additional Requirements _____

DECLARATION

Issued By _____

We certify that we have read the terms and conditions of the tender enquiry over leaf and the same are fully acceptable to us. We further agree to provide performance bond, if required

Signature _____

Full Name _____

Seal of the Firm _____

Head Procurement Department
Heavy Mechanical Complex, Taxila.



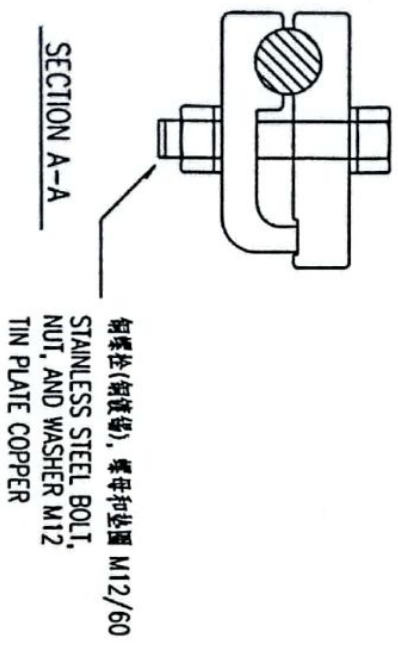
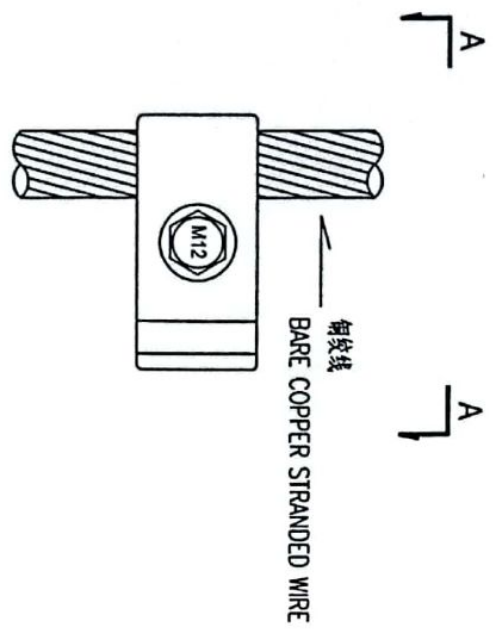
Taxila : 47050 Pakistan Phones : (+92-51) 9314262-5 (4 Lines), (+92-51) 9314181-5 (5 Lines)
 Fax: (+92-51) 9270203, (92-51) 9314260
 Email: hmcengg@hmc.com.pk, marketing@hmc.com.pk & procurement.hmc@gmail.com
 Web Site: http:// www.hmc.com.pk



DETAIL -GD5

COPPER GROUND CLAMP
(TIN PLATE COPPER)

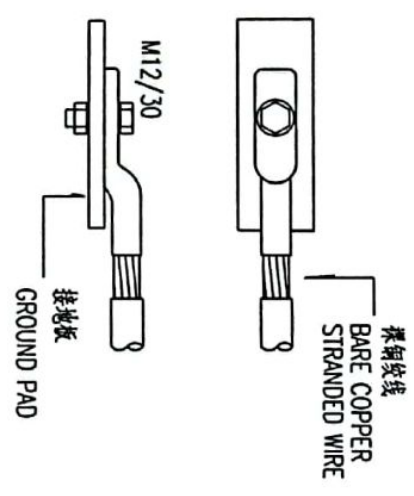
铜接地端子
铜镀锡



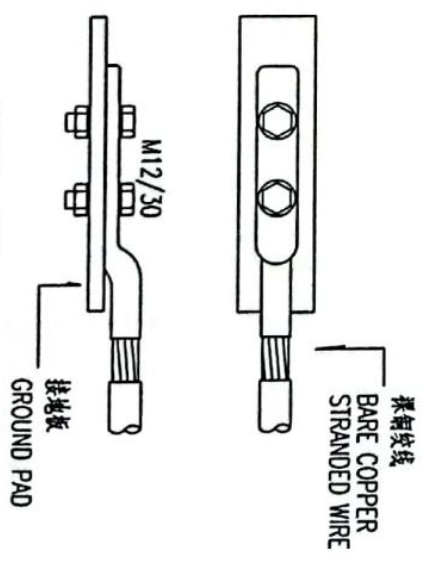
DETAIL -GD6&7

COPPER COMPRESSING LUG
(TIN PLATE COPPER)

811701-~~308~~
铜压接线端子

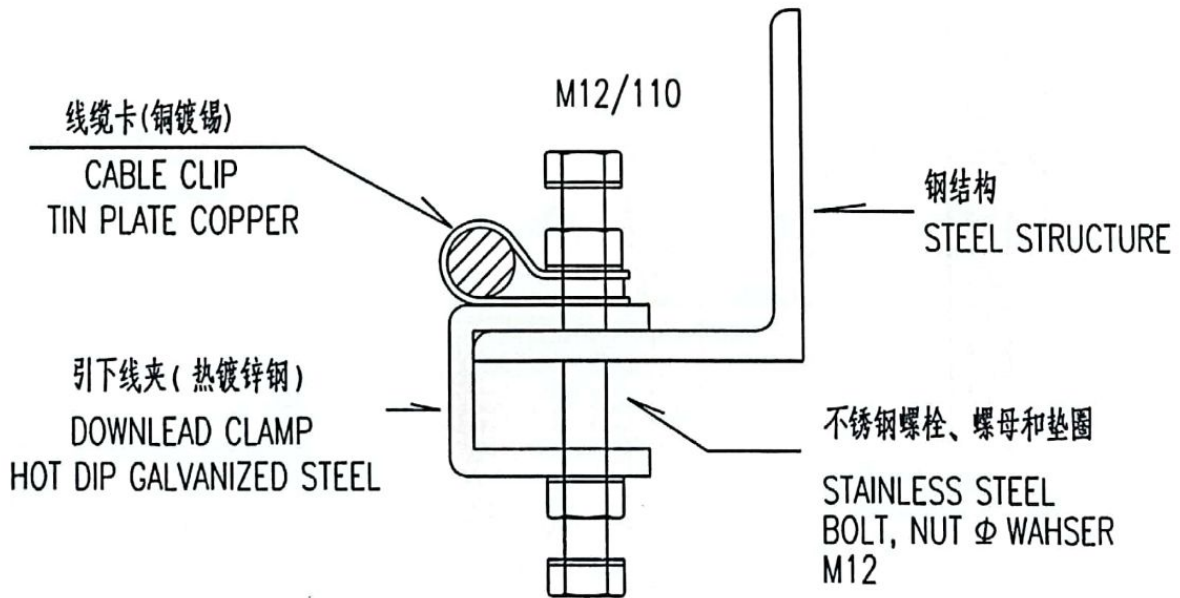
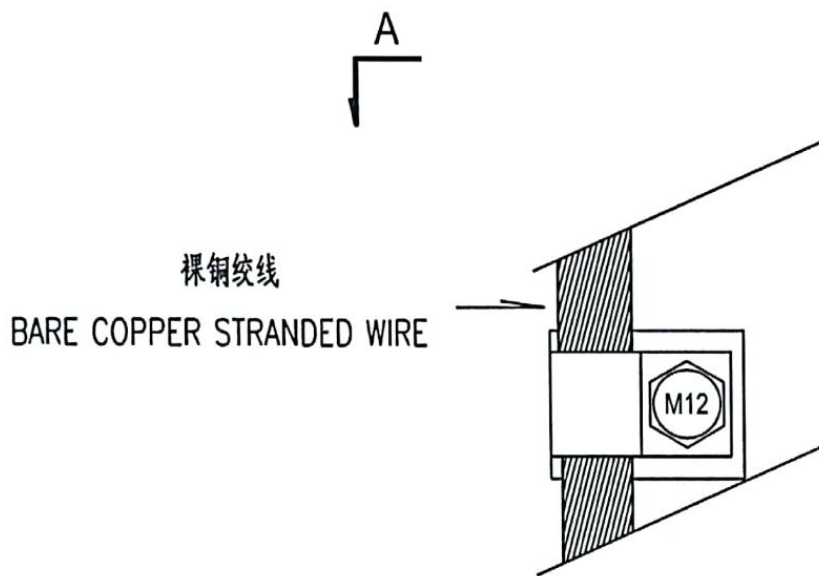


COPPER COMPRESSING LUG (1-HOLE)
TIN PLATE COPPER
铜压接线端子(单孔)(铜镀锡)



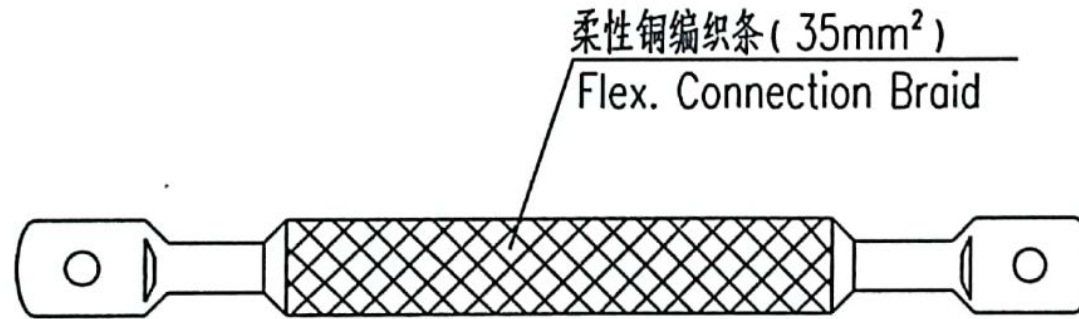
COPPER COMPRESSING LUG (2-HOLE)
TIN PLATE COPPER
铜压接线端子(双孔)(铜镀锡)

Handwritten signature and date: 10-10-21



SECTION A-A

Handwritten signature and date:
29-10-24

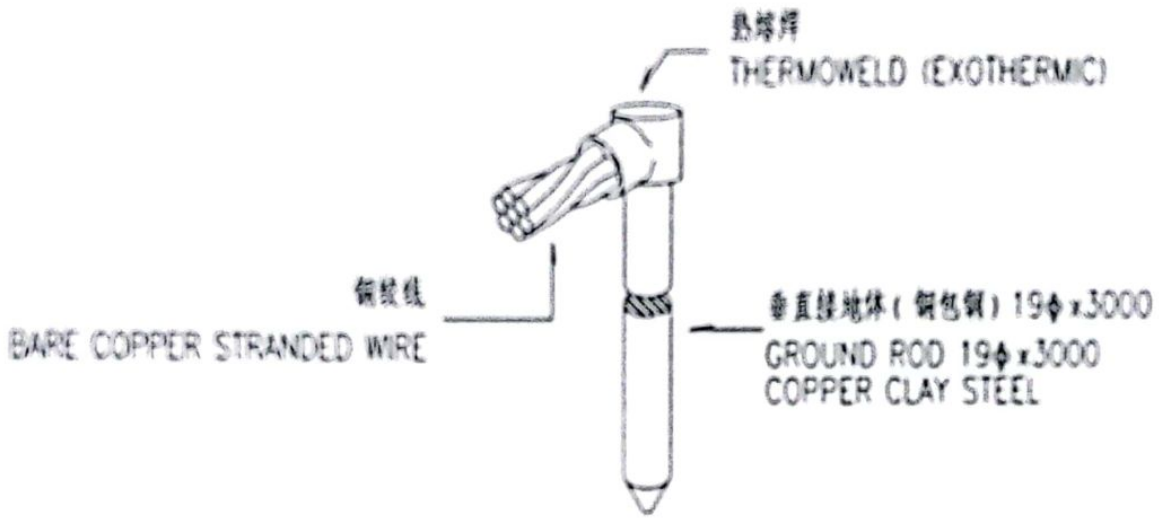


DETAIL -GD11

FLEXIBLE COPPER BRAID (WITH ONE HOLE)

柔性编织带 (端子配一个孔)

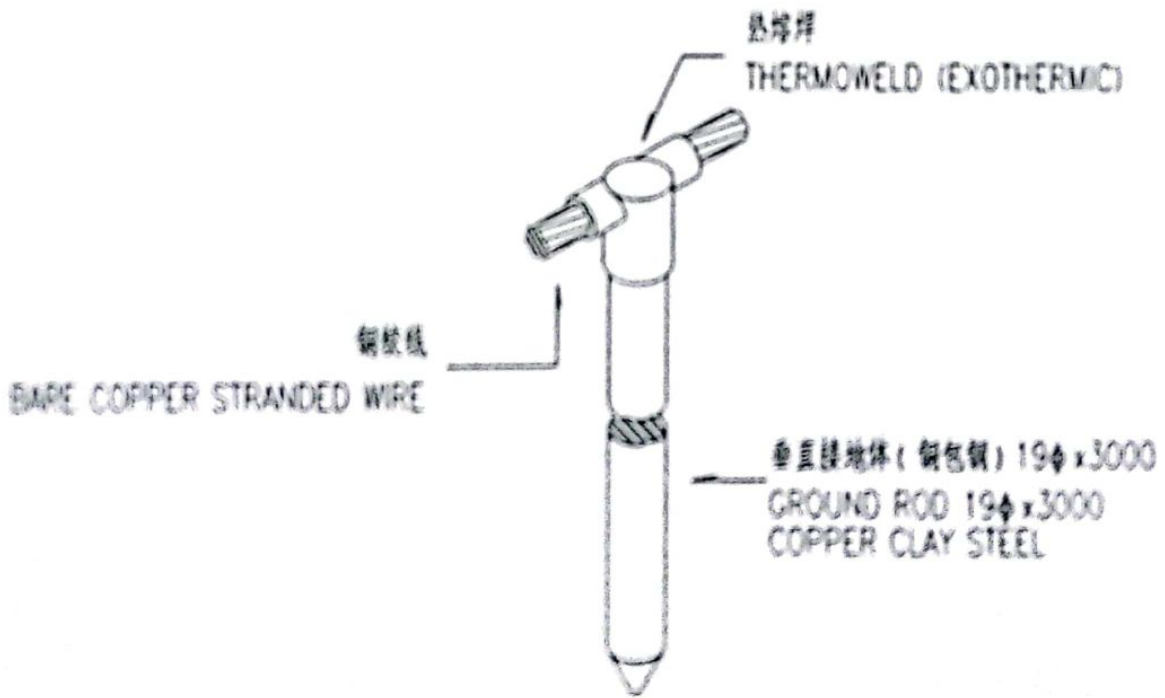
RP/11/01
29-10-24



DETAIL -GD3

GROUND ROD CONNECTION

垂直接地体连接



DETAIL -GD4

GROUND ROD CONNECTION

垂直接地体连接

Handwritten signature and date: 29-11-14



HEAVY MECHANICAL COMPLEX
Government Of Pakistan



TENDER ENQUIRY

PUR/TE/02

NO.	NPLJ-24-094	Date:	27-Dec-24	Due on :	13-Jan-25
-----	-------------	-------	-----------	----------	-----------

Please ensure to indicate your offer in this schedule. In case of shortage of space, you may use your letterhead but this schedule is to be returned duly filled in & signed.

We invite your sealed bid on FOR /FOT Taxila or Free Delivery, HMC, Taxila basis for the supply of following store (s) precisely according to the format depicted below. Bid must reach Procurement Department by 1400 hours for opening in public at 1430 hours on due date.

S. NO.	DESCRIPTION	Unit.	Qty.	Unit Price (Rs.)	Delivery Period
1	Worker's Uniform, Shirt + Trouser, Export Quality long lasting zean fabric, Embroidered HMC new logo on front chest, full sleeves multi pockets, Khaki Color, Double Stitching overlock etc. Medium Size Large Size Extra Large Size	Pair	07		
		Pair	37		
		Pair	32		
2	Safety Shoes - Black Size: 40 Size: 41 Size: 42 Size: 43 Size: 44 Size: 45	Pair	02		
		Pair	12		
		Pair	29		
		Pair	24		
		Pair	07		
		Pair	02		

Important Note:

1. The offer shall be quoted on FOR Taxila basis.
2. Delivery Period should be minimum.
3. Quantity can be increased, decreased or deleted after tender opening, if necessary.
4. Validity: The offer validity should not be less than 30 days.
5. Payment: Payment will be made after inspection & acceptance of stores at HMC Taxila.

NB: For Sales Tax and other Govt. levies please read clause 7 (e) of Terms and Conditions, overleaf.

Terms of Delivery : FOT/FOR Taxila - Free Delivery HMC Taxila.

Your offer No. & date : _____ Valid upto : _____

Additional Requirements : _____

DECLARATION

Issued By :

We certify that we have read the terms and conditions of the tender enquiry over leaf and the same are fully acceptable to us. We further agree to provide performance bond, if required

Signature _____

Full Name _____

Seal of the Firm _____

for 
Head Procurement Department
Heavy Mechanical Complex, Taxila.



Taxila : 47050 Pakistan Phones : (+92-51) 9314262-5 (4 Lines), (+92-51) 9314181-5 (5 Lines)
Fax: (+92-51) 9270203, (92-51) 9314260
Email: hmcengg@hmc.com.pk, marketing@hmc.com.pk & procurement.hmc@gmail.com
Web Site: http:// www.hmc.com.pk

